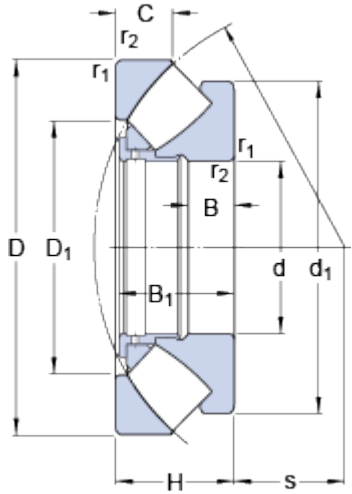


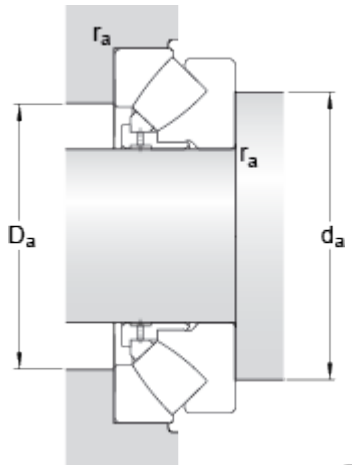
# 292/500 E

## Dimensions



d	500	mm
D	670	mm
H	103	mm
d <sub>1</sub>	≈ 654	mm
D <sub>1</sub>	≈ 574	mm
B	33	mm
B <sub>1</sub>	99	mm
C	53.5	mm
s	268	mm
r <sub>1,2</sub>	min. 5	mm

## Abutment dimensions



d <sub>a</sub>	min. 585	mm
D <sub>a</sub>	max. 615	mm
r <sub>a</sub>	max. 4	mm

## Calculation data

Basic dynamic load rating	C	2390	kN
Basic static load rating	C <sub>0</sub>	12500	kN
Fatigue load limit	P <sub>u</sub>	1000	kN
Reference speed		560	r/min
Limiting speed		900	r/min
Minimum axial load factor	A	15	

## Mass

Mass bearing		100	kg
--------------	--	-----	----